



# Installation manual

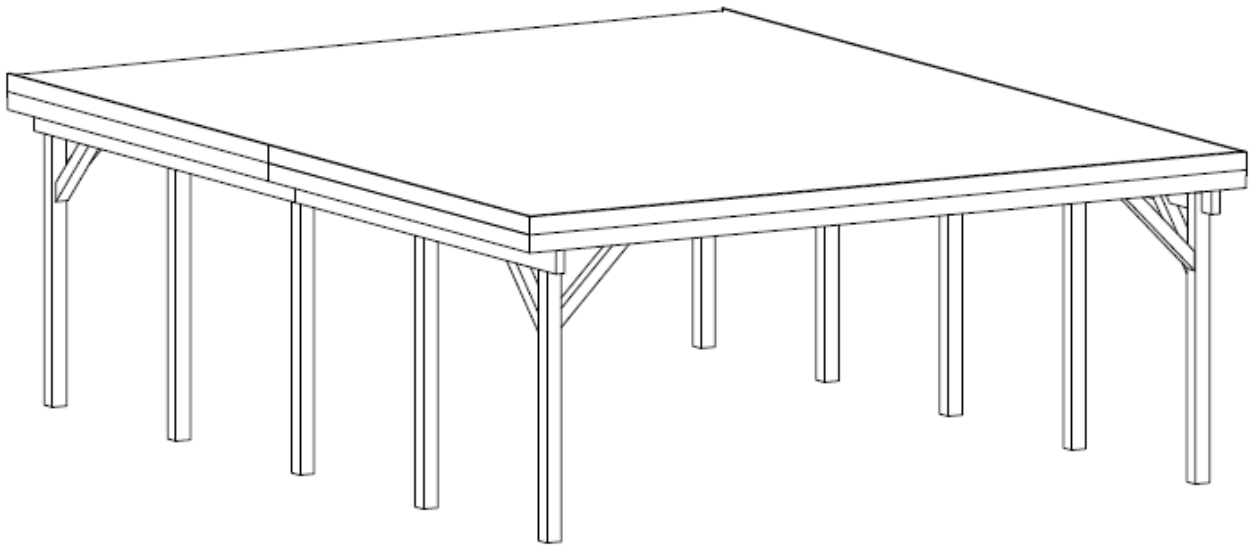
Montageanleitung • Notice de montage • Istruzioni per il montaggio  
Manual de montaje • Monteringsanvisning • Installatiegids

## Carport CP6076/882156

Blockhaus • Maisonnette en poutres • Casa di travi • Casa de jardin • Anneks • Tuinhuis

Width 600 x Depth 760 x Height 221 cm

Breite/Tiefe/Höhe • Largeur/Profondeur/Hauteur • Lunghezza/Profondità/Altezza • Ancho/Profundidad/Altura •  
Bredde/Dybde/Højde • Breedte/Diepte/Hoogte



The producer shall have the right to make technical changes to the product • Technische Änderungen vorbehalten • Le producteur réserve le droit d'effectuer des modifications techniques au produit • Il produttore mantiene il diritto di apportare modifiche tecniche al prodotto • Reservado el derecho a modificaciones técnicas • Produsent forbeholder seg retten til å endre tekniske egenskaper ved produktet • Alle rechten en technische wijzigingen voorbehouden

## 1 General information



**Dear client,**

We are glad that you have decided in favour of our carport!

**Please read the assembly manual carefully before proceeding with the carport installation!** You will thus avoid problems and will not waste time.

### **Recommendations:**

- Keep the carport package until its complete assembly in a dry place, but not in direct contact with the ground, protected from weather conditions (moisture, the sun, etc.). Do not keep the carport package in a heated room!
- When selecting the carport location, make sure that the carport will not be subjected to extreme weather conditions (areas of strong snowfall or winds).



### **Warranty**

Your carport is made from high quality fir and delivered in the natural (unprocessed) form. If, despite our thorough inspection, you should have complaints, please submit the filled out control sheet and purchase invoice to the product seller.

**ATTENTION: Please be sure to keep the documentation accompanying the house package! The control sheet includes the control number of the carport. We can only review complaints if you submit the control number of the house to the seller!**

The warranty does not cover:

- Peculiarities of wood as a natural material
- Wooden details already painted (processed with a wood preservative)
- Wooden details containing whole branches that do not endanger the stability of the carport
- Colour tone variations caused by wood structure differences that do not influence wood lifetime
- Wooden details containing (caused by drying) small cracks/gaps that do not pass through and do not influence the structure of the carport
- Twisted wooden details if they can nevertheless be installed
- Roof boards that may have on their concealed surfaces some non-planed areas, colour differences and waning
- Complaints resulting from an incompetent manner of the installation of the carport or the carport subsiding due to an incompetently made foundation
- Complaints caused by introducing self-initiative changes to the carport, such as the deformation of wooden details due to an incompetent manner of wood processing

**The complaints covered by the warranty are satisfied to the extent of replacing the deficient/faulty material. All other demands will be excluded!**



## Painting and maintenance

Wood is a natural material, growing and adapting depending on weather conditions. Large and small cracks, colour tone differences and changes, as well as a changing structure of wood are not errors, but a result of wood growing and a peculiarity of wood as a natural material.

Unprocessed wood (except for foundation joists) becomes greyish after having been left untouched for a while, and can be turn blue and become mouldy. To protect the wooden details of your carport, you must immediately process them with a wood preservative.

We recommend that you cover your carport in advance with a colourless wood impregnation agent. Only this will prevent moisture penetration.

After the carport assembly is completed, we recommend for the conclusive finishing a weather protection paint that will protect wood from moisture and UV radiation.

When painting, use high quality tools and paints, follow the paint application manual and manufacturer's safety and usage instructions. Never paint a surface in strong sunlight or rainy weather. Consult a specialist regarding paints suitable for unprocessed softwood and follow the paint manufacturer's instructions.

Having been properly painted, your carport's lifetime will increase substantially. We recommend that you inspect the carport thoroughly once every six months.

## 2 Preparation for assembly

### Tools and preparation of components

To assemble the carport, you will need the following tools:



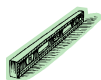
assembly aid



ladder



hammer



water-level



screwdriver



saw



knife



measuring tape



pliers



drill

**ADVICE:** To avoid splinters, we recommend that you wear the corresponding protective gloves during the assembly process.

### 3. ASSEMBLY

**We recommend installing the carport by at least two persons.**

- It is important to check from the specifications that all the components are present prior to starting to installation of the carport.
- Arrange the components according to the order of installation.

A good foundation is the most important aspect in ensuring the durability and security for your carport. Only a totally level, rectangular and load bearing foundation can guarantee hassle-free installation of the carport and its stability. With a good foundation your carport will last many years longer. We recommend a point foundation for the carport. Seek a specialist consultation or have the foundation prepared by professionals.

**NB! Materials necessary for the foundation (concrete mix, beam support brackets, bolts) are not included in the carport kit and they have to be purchased separately.**

First, locate the positions of posts according to Fig. 1, or Fig. 1a in case of laminated wood arch. Prepare the foundations for posts. Place the beam support brackets to the location of posts. There are two options for getting the necessary roof incline for the carport:

- a) by placing the beam support brackets at different heights (see Fig. 2)
- b) by cutting the back posts shorter respectively

Place the posts so that the cuts at the upper end of posts are facing outwards. Then fix the posts with respective bolts in the beam support brackets.

Position the beams (Pos. 2). Check the overhang in front and at the back according to Fig. 1, or according to Fig. 1a in case of laminated wood arch. Drill the beams through the opening at the end of the beam. Check that the components would be level and rectangular. Fix the beams to the post with a bolt, nut and washer (Pos. 15-17).

Position the rafters (Pos. 3). See the distances from Fig. 3. Fix the rafters with squares (Pos. 21).

Then install the support components (Pos. 4). See the location of components from Fig. 2 and Fig. 3. Fix with squares (Pos. 22).

Position the angle braces (Pos. 5) and secure them to the posts at the lower end, using a bolt and a washer (Pos. 18 and 19), and to the support component (Pos. 4) at the upper end, using screws (Pos. 23).

Install the rest of the angle braces (Pos. 6 to 9) by repeating the procedure with component No. 5.

Next, fit the diagonals (Pos. 10) to make the carport even more stable. Diagonals should be fastened with screws (Pos. 24) to the underside of the rafters according to Fig. 3.

Then install the fascia boards (Pos. 11 and 12) and fix with screws (Pos. 24).

Check before installing the roof-boards that the carport would be absolutely level. Roof-boards (Pos. 13) should be fastened with nails (Pos. 25).

Then fix the roof interior angle slats (Pos. 14) with nails (Pos. 25).

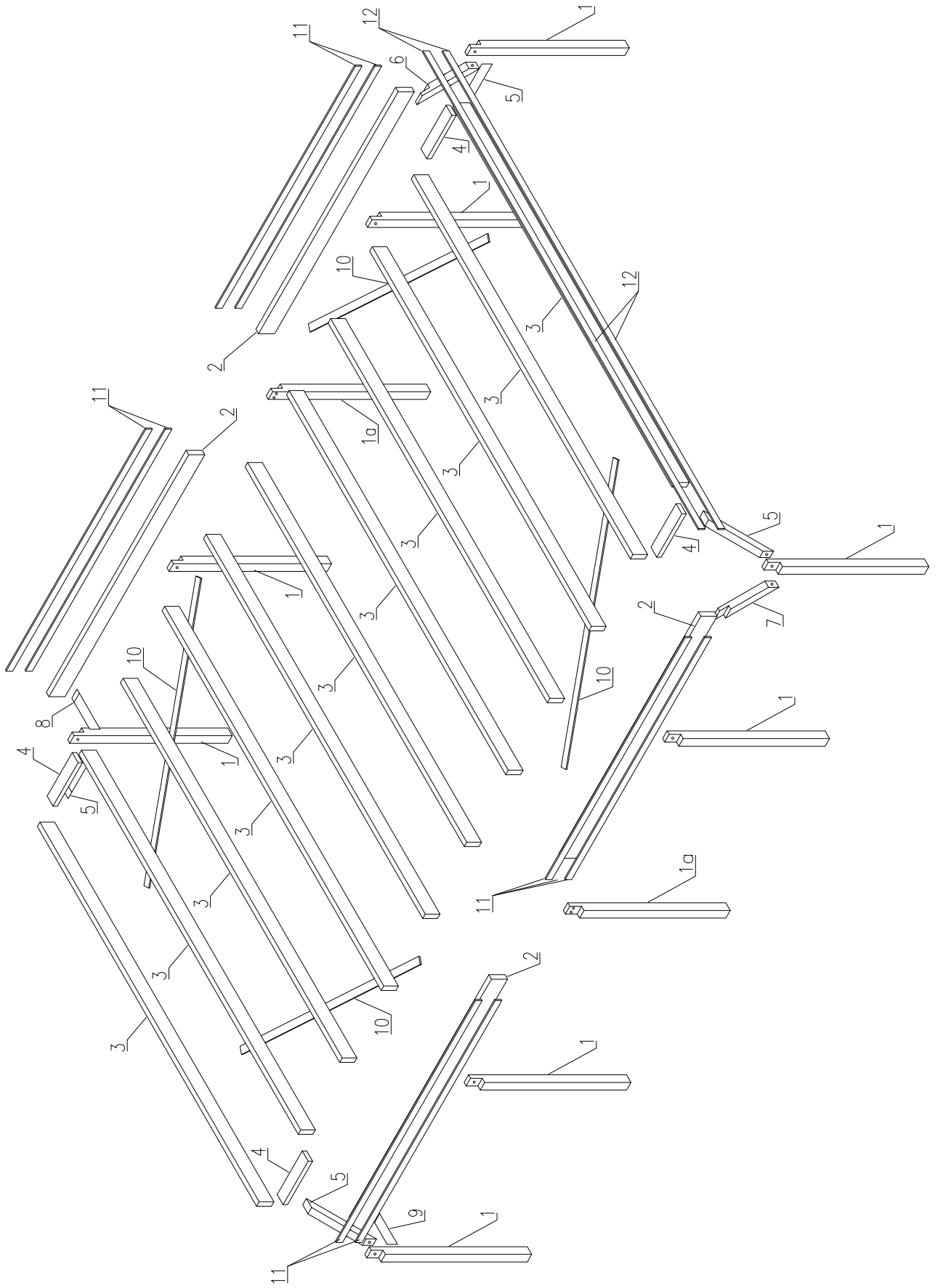
And finally, suitable roof covering materials should be laid (not included!).

**CP6076 SPECIFIKATION-STÜCKLISTE-NOMENCLATURE-ELEMENTI**

Pos Nr.	Bezeichnung/Name	Height/ Höhe [mm]	Width/ Breite [mm]	Length/ Länge [mm]	Amount/ Menge [Stk./Pcs]
1	Post-Pfosten-Poteau-Punto	120	120	2100	8
1a	Post-Pfosten-Poteau-Punto	120	120	2100	2
2	Beam-Sattelbalken-Poutre-Trave	195	70	3800	4
3	Rafter-Dachsparren-Chevron-Trave del tetto	195	70	5962	11
4	Support component-Wechsel- Detail d'appui-Componenti di supporto	60	160	683	4
5	Brace-Querkopfband-Poute d'appui-Piedi	90	90	900	4
6	Brace-Kopfband-Poute d'appui-Piedi	90	90	800	1
7	Brace-Kopfband-Poute d'appui-Piedi	90	90	800	1
8	Brace-Kopfband-Poute d'appui-Piedi	90	90	800	1
9	Brace-Kopfband-Poute d'appui-Piedi	90	90	800	1
10	Diagonal-Windverband-Diagonal-Diagonal	16	95	3580	4
11	Fascia board-Seitenblende-Latte de bordure-Schermo frontone	140	19	3800	8
12	Fascia board-Stirnbrett-Latte de bordure-Schermo frontone	140	19	6000	2
13	Roof board-Dachbrett-Planche du toit-Tavola tetto	19	89	3800	134
14	Roof slat-Dacheckleiste-Latte-Strisce	32	32	3800	6

**ZUBEHÖR- FIXING MATERIAL-KIT D'ASSEMBLÉE-CORREDO DELL' ASSEMBLEA**

15	Bolt-Bolzen-Boulon-Bullone	M12x140		(Pos. 1 to 2)	12
16	Nut-Schraubenmutter-Ecrou-Dado	M12		(Pos. 1 to 2)	12
17	Washer-Dichtscheibe-Rondelle-Rondella	Ø13/37x3		(Pos. 1 to 2)	12
18	Hex head wood schrew-Sechskant-Holzschraube-Vis-Vite	10x140	W1192-10140	(Pos. 5-9 to 1)	8
19	Washer-Dichtscheibe-Rondelle-Rondella	Ø10,5/30x2,5	W0416-10	(Pos. 5-9 to 1)	8
20	Nail-Nagel-Clou-Chiodo	Ø4x40	EM72801	(Winkel/Squares)	400
21	Square-Winkel-Equerre	70x70x55	EM71304	(Pos. 3 to 2)	22
22	Square-Winkel-Equerre	40x40x40	EM71404	(Pos. 4 to 3)	16
23	Screw-Schraube-Vis-Vite	6x90		(Pos. 6-9 to 2; Pos. 5 to 4)	16
24	Screw-Schraube-Vis-Vite	4,5x50		(Pos. 10-12)	100
25	Nail-Nagel-Clou-Chiodo	3x70		(Pos. 13;14)	850



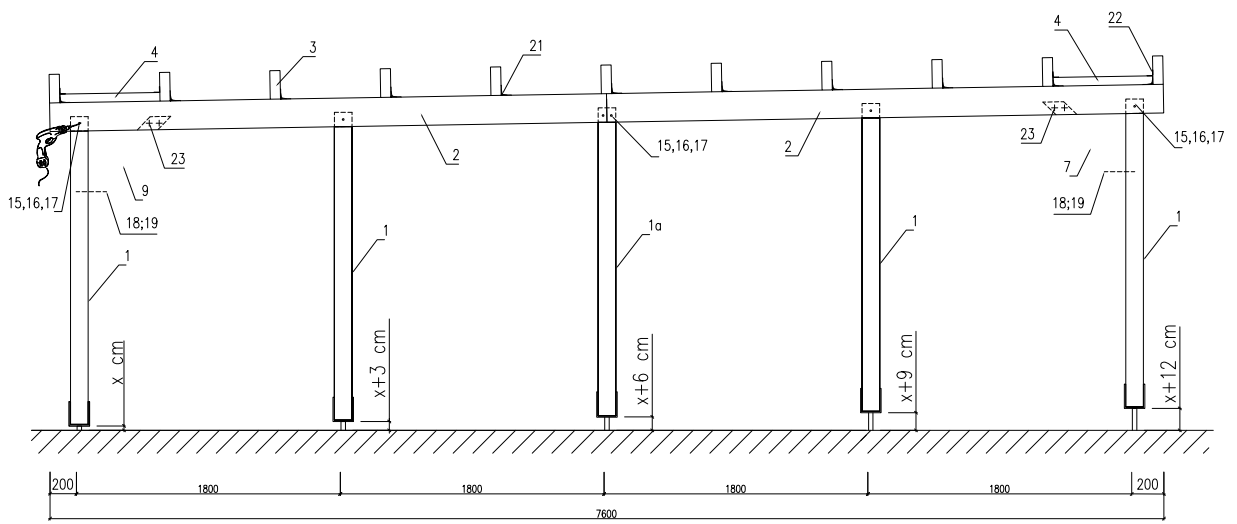


Fig. 2

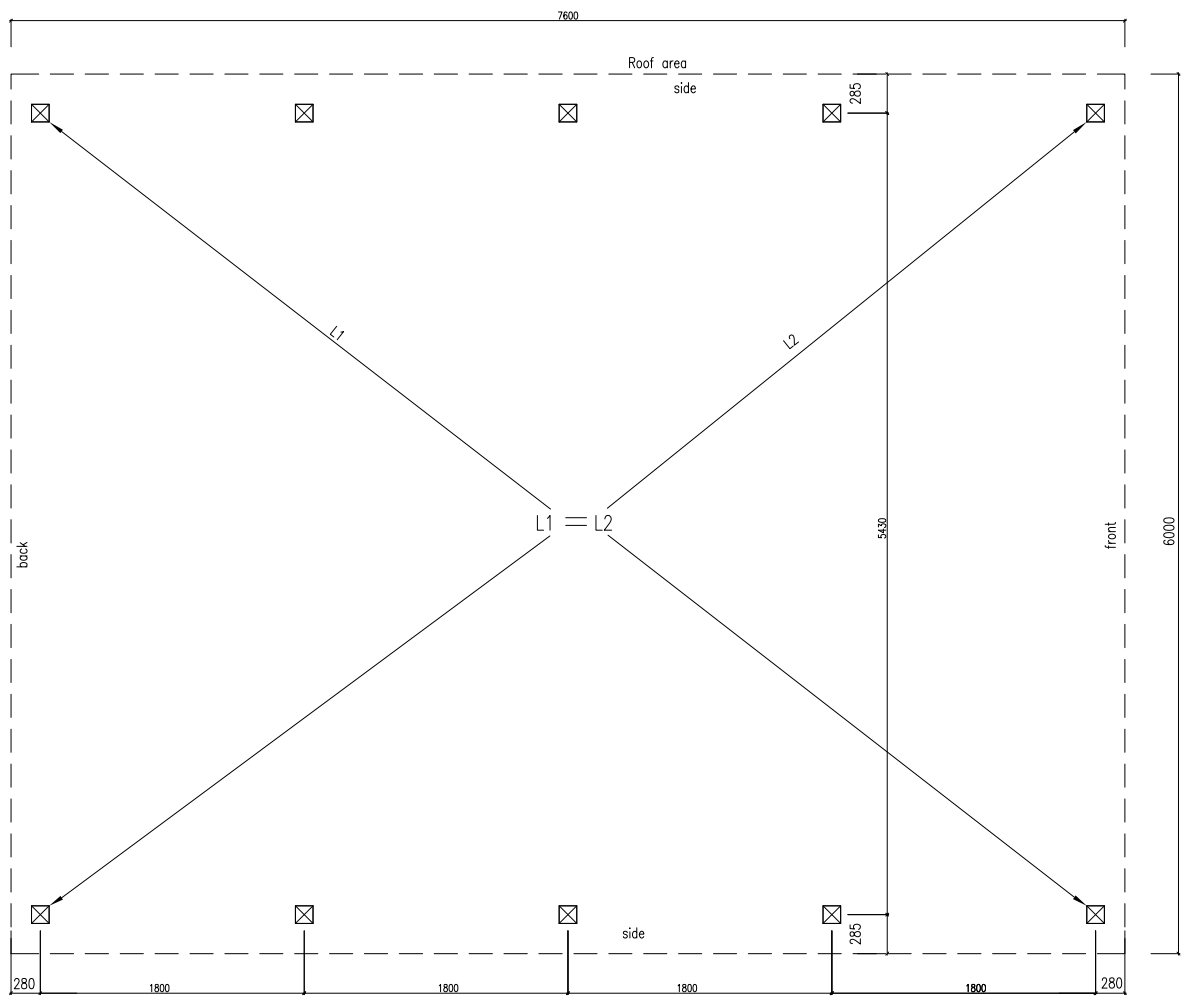


Fig. 1



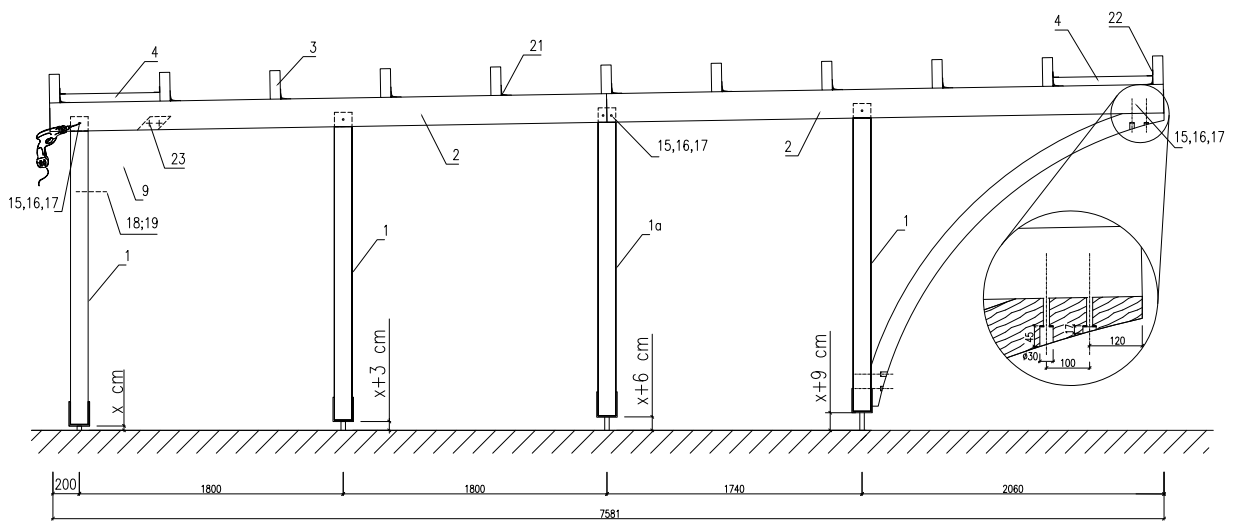


Fig. 2a

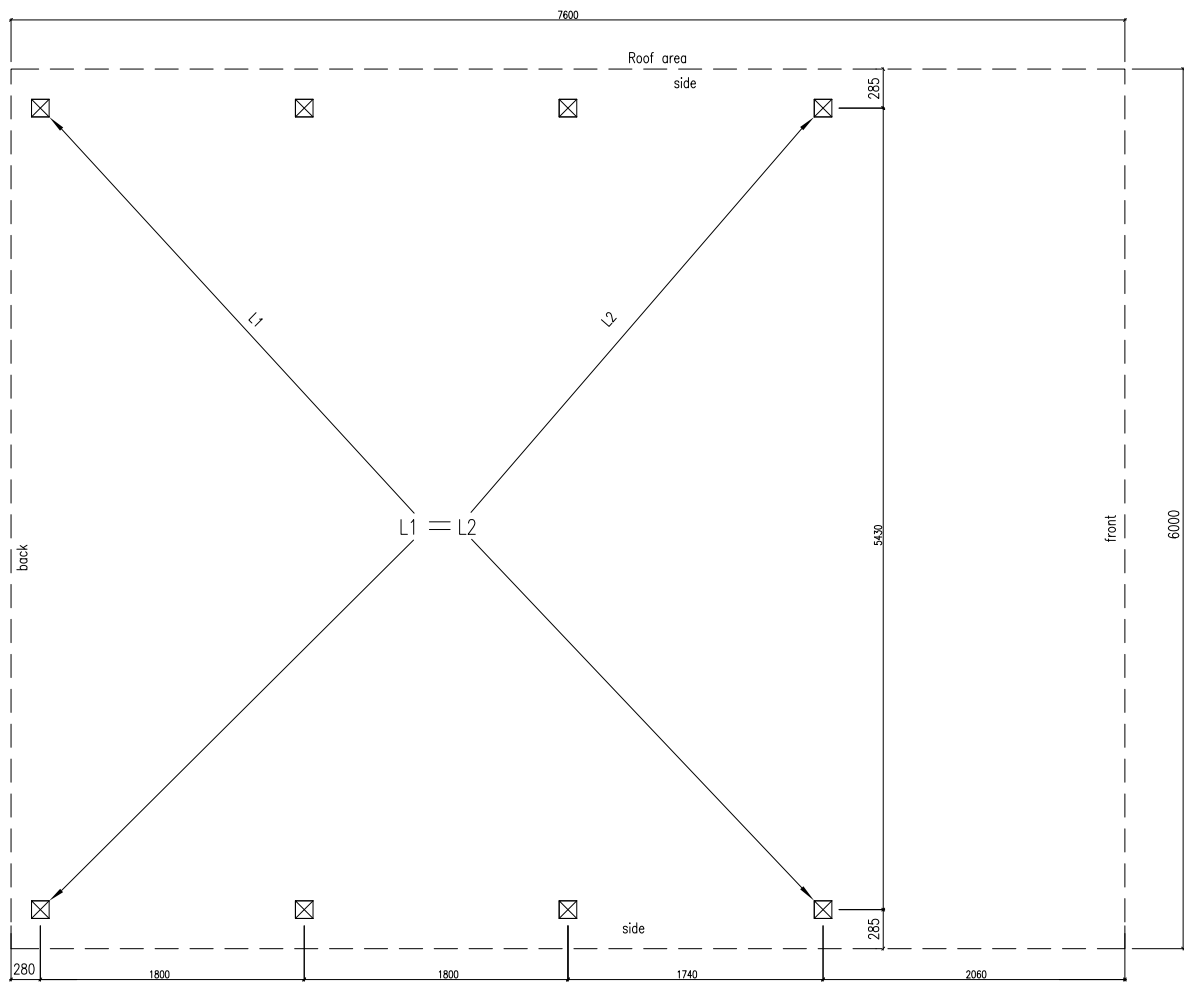


Fig. 1a

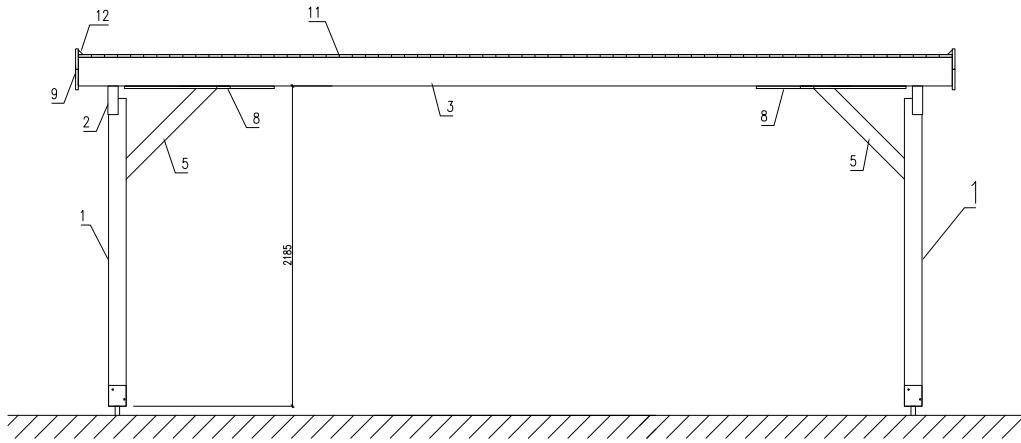


Fig. 3

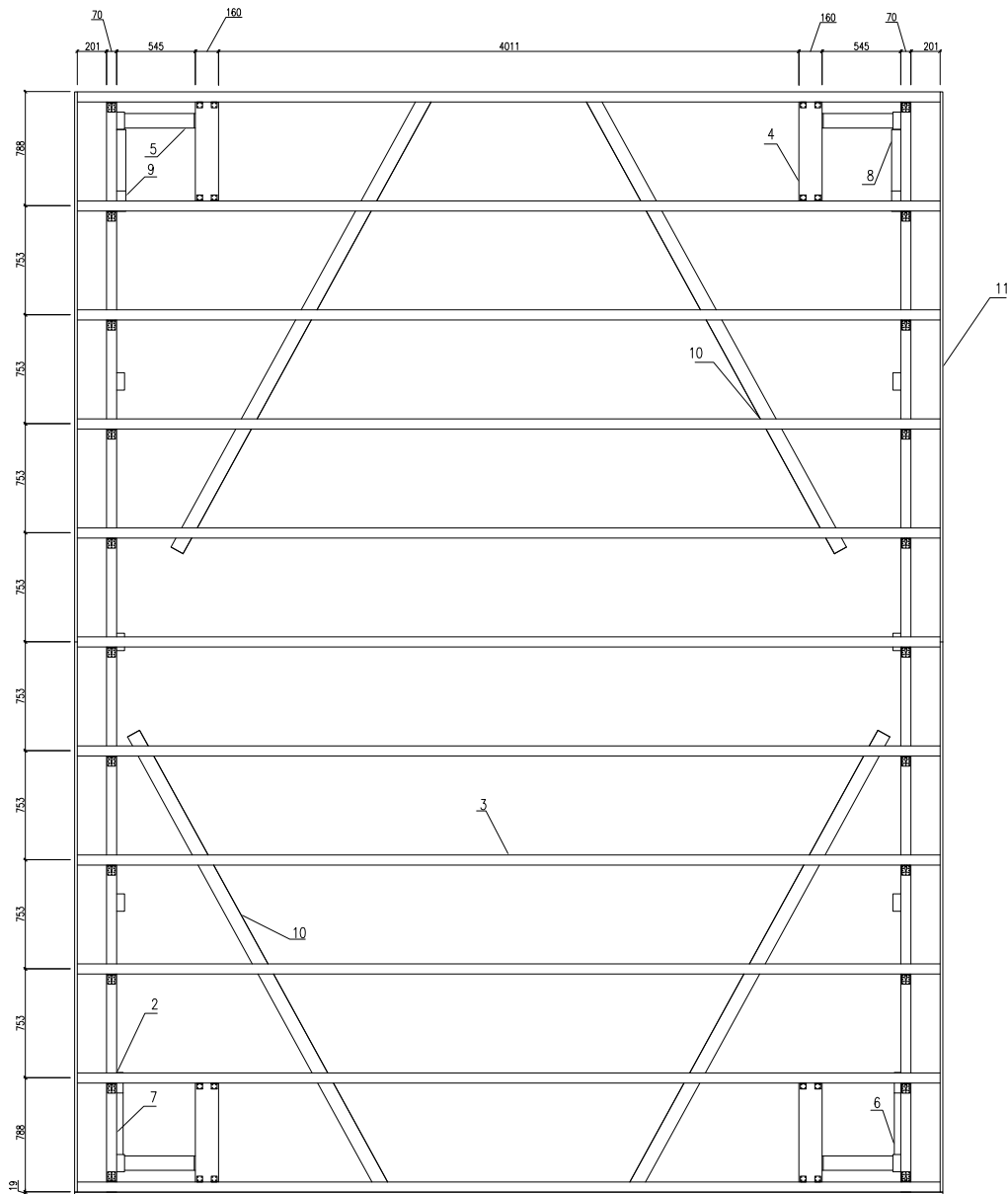


Fig. 4